

RELAY OUTPUT CAPACITIVE LEVEL SENSOR (CLD)

These sensors are used to detect the presence of powder , grainy and liquids stored in metal tanks , and are based on the capacitance between the sensor probe and the metal body of the tank and its change due to the presence of materials .

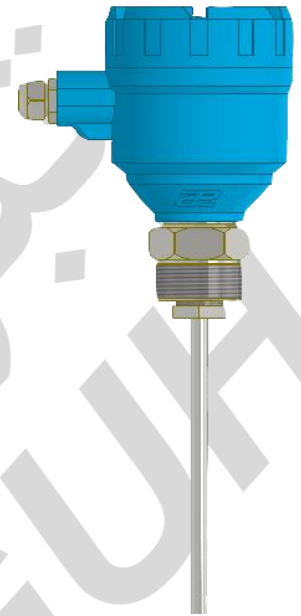
the sensor output can be as normally closed or normally closed by a jumper on the board.

sensor setting is made as digital by the button on the sensor circuit .

These sensors are in two types : with a insolated probe (type I) for high electrical conductivity such as iron oxide and aluminum oxide and , not insolated probe (type C) for low electrical conductivity such as chalk , oil , oil and ...

sensor shows : green led indicates the input power and red led showing the output of the sensor . yellow led shows the setting .

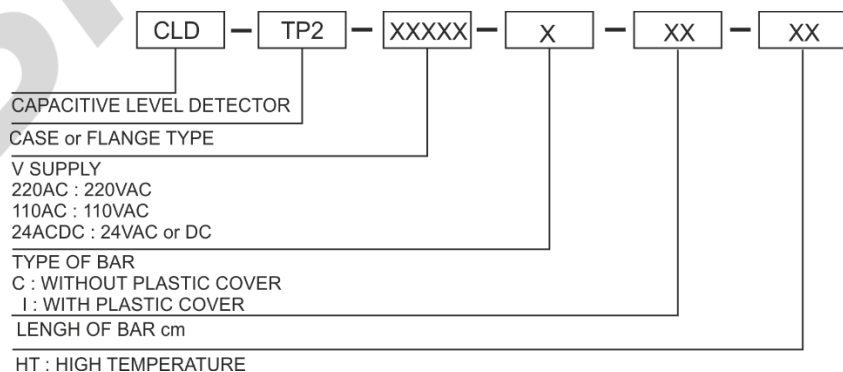
the length of the probe can be produced by the order of the customer between 10 and 120 cm as rod . for longer probe used as rope .



Technical data			
Supply voltage	24VAC/DC,110VAC,220VAC	Output indicator	Red LED
Power consumption	2W	Case size	Height=12 cm Diameter =14 cm
Output relay	250V 5A	Connection size	G 1 1/2
Humidity rating	35 ~ 90 %	Probe or cable material	*304 stainless steel
Operating temperature	-20 ~ +100 °C (for HT type -20 ~ +180 °C)	Case material	aluminum
Case influence degree	IP66	Insulating material	silicon
Power indicator	Green LED	Connection material	*304 STAINLESS STEEL

*the probe or connection material can be produced in stainless steel 304L or 316L

ORDER CODE :



تبریز پژوه
EP
TABRIZPEGUH