

CONTINUOUS OUTPUT CAPACITIVE LEVEL SENSOR

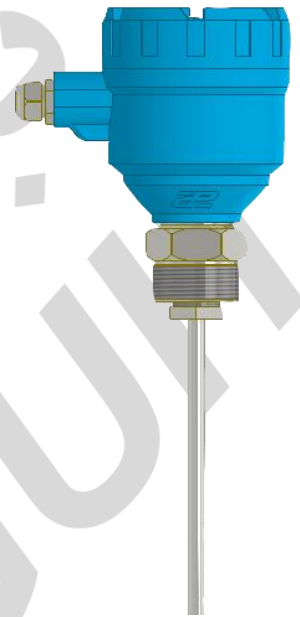
4-20mA or 0-10V (CLM)

These sensors are used to detect the presence of powder , grainy and liquids stored in metal tanks , and are based on the capacitance between the sensor probe and the metal body of the tank and its change due to the presence of materials . The sensor can be produced at an output of 0 - 10 V or 4 - 20 mA or both .

By using a baton and two LEDs on the circuit , the sensor output at the minimum and maximum points is adjustable for values of 0 - 10 V or 4 - 20 mA .

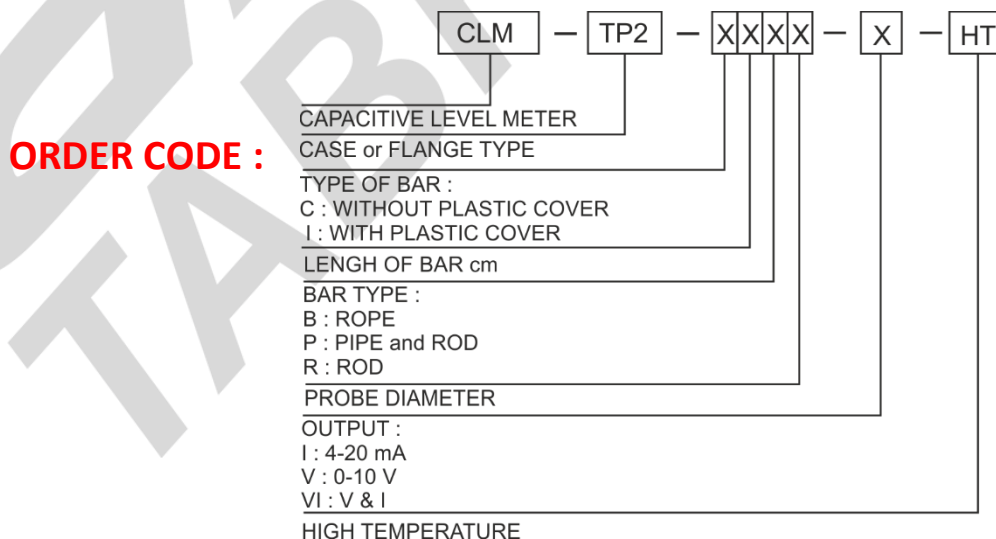
These sensors are in two types : with a insolated probe (type I) for high electrical conductivity such as iron oxide and aluminum oxide and , not insolated probe (type C) for low electrical conductivity such as chalk , oil , oil and ...

The length of the bar (type R) rod can be produced at a customer 's order between 10 and 120 cm . For the lengths of greater lengths , the rope (type B) is used . It is used to measure pure and non - pollution liquids (such as gasoline , diesel , oil types , etc.) from the tube and the center of the center (type P) that changes with the removal of liquid inside the sensor output tube . In this case , the sensor is used in all metal or plastic tanks . The separation power (resolution) is the 0.001 sensor length of the bar .

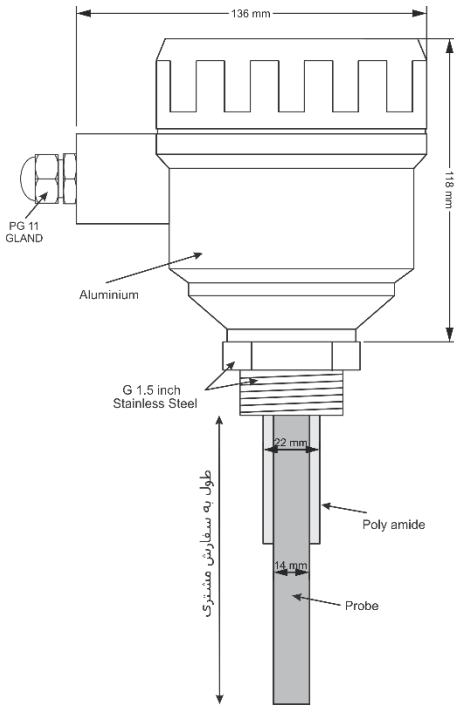


Technical data			
Supply voltage range	15~30 VDC	Probe influence degree	IP67
Power consumption	0.5W	Case size	12x14 cm
Max. output impedance for 4-20mA	470 Ω	Connection size	G 1 1/2"
Min. output impedance for 0-10V	4.7 kΩ	Probe material	304 STAINLESS STEEL*
Operating temperature	-20 ~ +100 °C	Connection material	304 STAINLESS STEEL*
Operating temperature for HT type	-20 ~ +180 °C	Case material	aluminum
Max. tank pressure	10 bar	Heat sink material in HT type	aluminum
Case influence degree	IP 66	Insolating material	silicon
Max. linearity error	±%5	Max. error in temperature changes	±%3

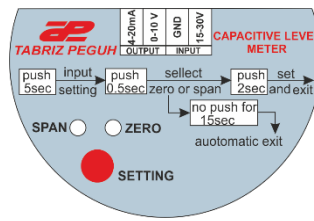
*the probe or connection material can be produced in stainless steel 304L or 316L



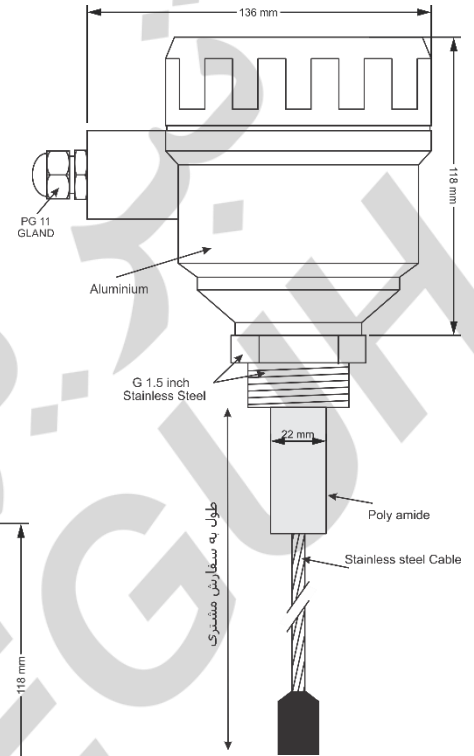
short probe , rod type



Sensor panel



Long probe , rope type



High temperature type

