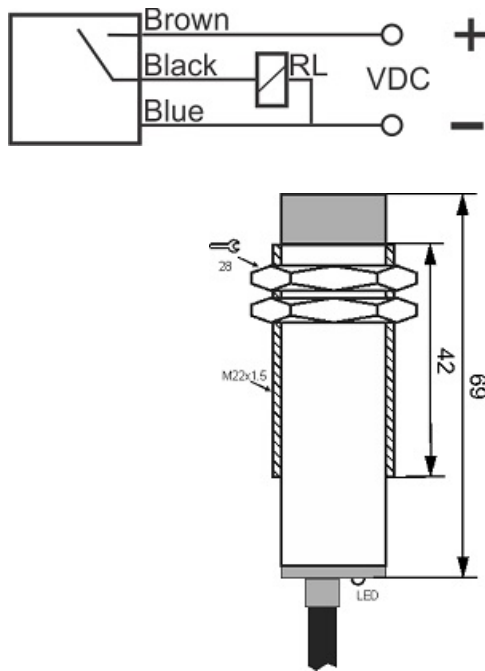




IPS-310-OP-22-V

Category: 3wire DC pre cabled PNP inductive sensor



| | |
|------------------------|-------------------------------|
| IPS-310-OP-22-V | Product Code |
| M22X1.5Ni PLATED Brass | housing |
| 3 | number of wires |
| 10 mm | switching distance |
| -20~+60 °C | temperature range |
| IP67 | influence protection |
| CABLE3X0.25-1.5m | output |
| PNP TRANSISTOR | output stage |
| NO | output function |
| 10-60VDC | voltage range |
| 250 mA | max output current |
| 500 Hz | max output frequency |
| ✓ | indicator led |
| 2 V | max drop voltage |
| 15 mA | max noload or leakage current |
| 3 bar | pressure rate |
| non flush (unshielded) | mounting |
| yes | revers voltage protection |
| yes | short circuit protection |
| yes | pick voltage protection |

Address: No.36 , Karimkhan Ave , Darvazeh Tehran ,Tabriz-Iran

Postal Code : 5157913399 | Post Inbox : 5341-51575 | Phone : 33330490-041 | Fax : 33318200-041

Website : www.tabrizpeguh.com | Email : info@tabrizpeguh.com