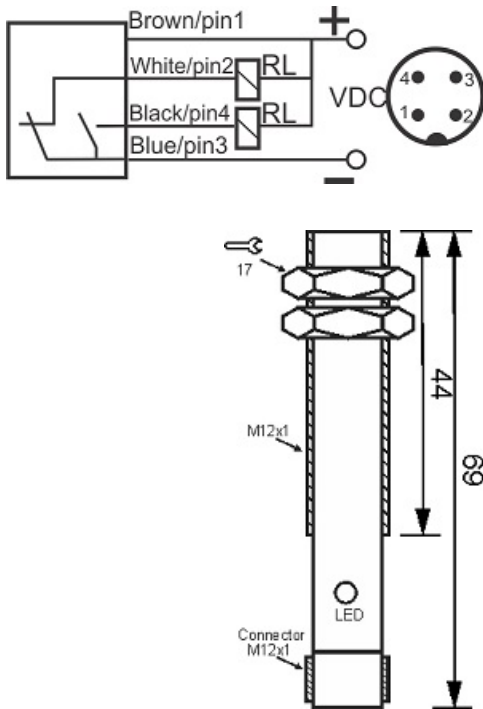




# IPS-402-N-12-S4

Category: 4wire DC 4pin connector NPN inductive sensor



|                      |                               |
|----------------------|-------------------------------|
| IPS-402-N-12-S4      | Product Code                  |
| M12X1Ni PLATED Brass | housing                       |
| 4                    | number of wires               |
| 2 mm                 | switching distance            |
| -20~+60 °C           | temperature range             |
| IP66                 | influence protection          |
| 4Pin SOCKET          | output                        |
| NPN TRANSISTOR       | output stage                  |
| NO+NC                | output function               |
| 10-30VDC             | voltage range                 |
| 250 mA               | max output current            |
| 1500 Hz              | max output frequency          |
| ✓                    | indicator led                 |
| 2 V                  | max drop voltage              |
| 15 mA                | max noload or leakage current |
| 3 bar                | pressure rate                 |
| flush(shielded)      | mounting                      |
| yes                  | revers voltage protection     |
| 0                    | short circuit protection      |
| yes                  | pick voltage protection       |

Address: No.36 , Karimkhan Ave , Darvazeh Tehran ,Tabriz-Iran

Postal Code : 5157913399 | Post Inbox : 5341-51575 | Phone : 33330490-041 | Fax : 33318200-041

Website : [www.tabrizpeguh.com](http://www.tabrizpeguh.com) | Email : [info@tabrizpeguh.com](mailto:info@tabrizpeguh.com)