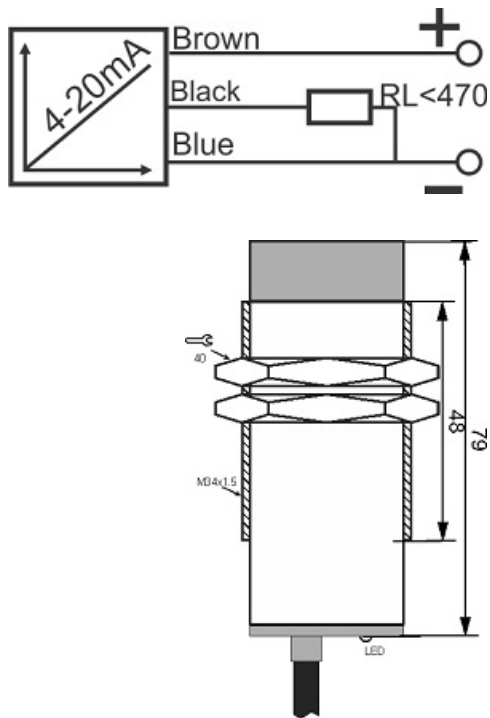




IPS-320-AI-34-P

Category: continuous pre cabled Inductive Sensor



IPS-320-AI-34-P	Product Code
M34X1.5Ni PLATED Brass	housing
3	number of wires
4-20mA	output type
20 mm	switching distance
-20~+60 °C	temperature range
IP66	influence protection
CABLE3X0.25-1.5m	output
TRANSISTOR	output stage
ANALOG	output function
15-30 VDC	voltage range
non flush (unshielded)	mounting

Address: No.36 , Karimkhan Ave , Darvazeh Tehran ,Tabriz-Iran

Postal Code : 5157913399 | Post Inbox : 5341-51575 | Phone : 33330490-041 | Fax : 33318200-041

Website : www.tabrizpeguh.com | Email : info@tabrizpeguh.com