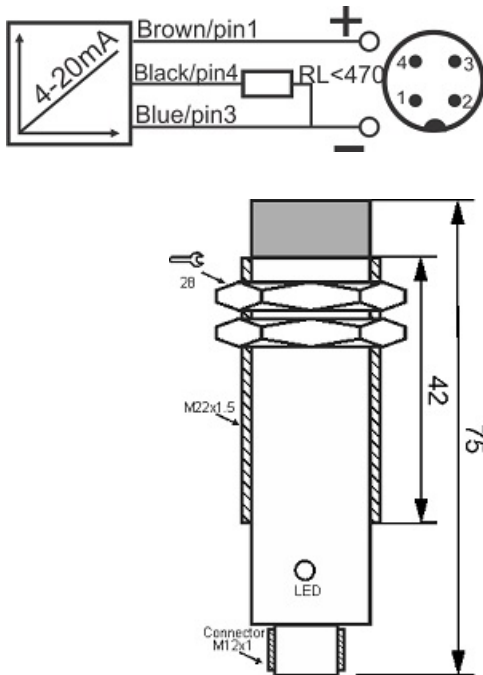




IPS-310-AI-22-P-S4

Category: continuous 4pin connector Inductive Sensor



| | |
|------------------------|----------------------|
| IPS-310-AI-22-P-S4 | Product Code |
| M22X1.5Ni PLATED Brass | housing |
| 3 | number of wires |
| 4-20mA | output type |
| 10 mm | switching distance |
| -20~+60 °C | temperature range |
| IP66 | influence protection |
| 4Pin SOCKET | output |
| TRANSISTOR | output stage |
| 15-30 VDC | voltage range |
| non flush (unshielded) | mounting |

Address: No.36 , Karimkhan Ave , Darvazeh Tehran ,Tabriz-Iran

Postal Code : 5157913399 | Post Inbox : 5341-51575 | Phone : 33330490-041 | Fax : 33318200-041

Website : www.tabrizpeguh.com | Email : info@tabrizpeguh.com