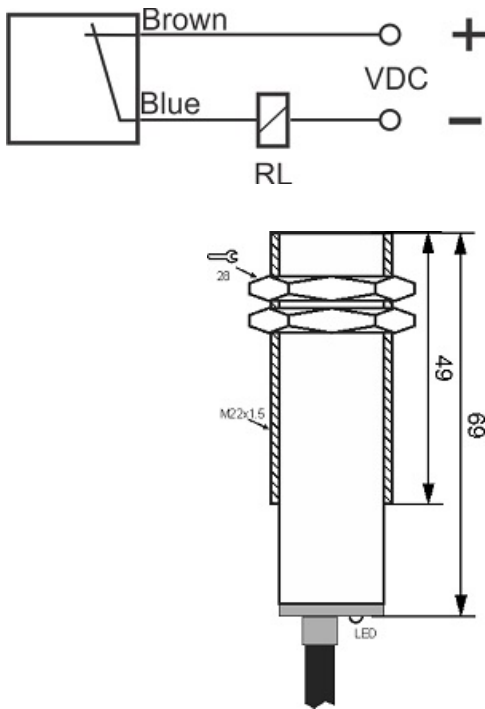




IPS-208-CD-22-HT

Category: high temperature pre cabled inductive sensor



| | |
|------------------------|----------------------|
| IPS-208-CD-22-HT | Product Code |
| M22X1.5Ni PLATED Brass | housing |
| 2 | number of wires |
| 8 mm | switching distance |
| -20~+120 °C | temperature range |
| IP67 | influence protection |
| CABLE2X0.35-1.5m | output |
| TRANSISTOR | output stage |
| NC | output function |
| 10-30VDC | voltage range |
| 120 mA | max output current |
| ✓ | indicator led |
| 5 V | max drop voltage |
| flush(shielded) | mounting |

Address: No.36 , Karimkhan Ave , Darvazeh Tehran ,Tabriz-Iran

Postal Code : 5157913399 | Post Inbox : 5341-51575 | Phone : 33330490-041 | Fax : 33318200-041

Website : www.tabrizpeguh.com | Email : info@tabrizpeguh.com