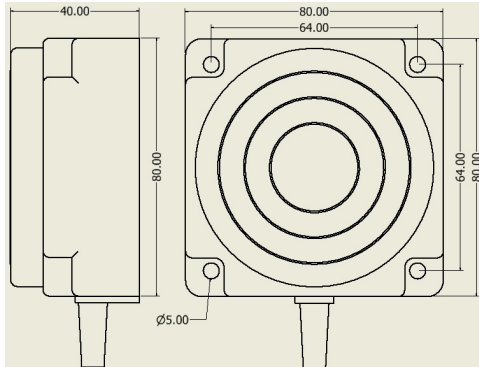




IPS-435-P-R80-HT

Category: high temperature pre cabled inductive sensor



| | |
|------------------------|----------------------|
| IPS-435-P-R80-HT | Product Code |
| REC. 80X80X40 PA or PP | housing |
| 4 | number of wires |
| 35 mm | switching distance |
| -20~+120 °C | temperature range |
| IP67 | influence protection |
| CABLE4X0.35-1.5m | output |
| PNP TRANSISTOR | output stage |
| NO+NC | output function |
| 10-30VDC | voltage range |
| 250 mA | max output current |
| ✓ | indicator led |
| 2 V | max drop voltage |
| non flush (unshielded) | mounting |

Address: No.36 , Karimkhan Ave , Darvazeh Tehran ,Tabriz-Iran

Postal Code : 5157913399 | Post Inbox : 5341-51575 | Phone : 33330490-041 | Fax : 33318200-041

Website : www.tabrizpeguh.com | Email : info@tabrizpeguh.com