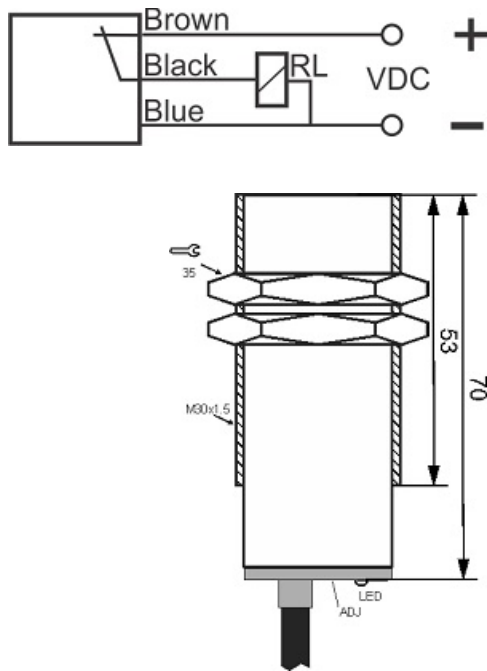




CPS-310-CP-30

Category: pre cabled capacitive three-wire DC sensors



CPS-310-CP-30	Product Code
M30X1.5Ni PLATED brass	housing
3	number of wires
10 mm	switching distance
-20~+60 °C	temperature range
IP 66	influence protection
PNP TRANSISTOR	output stage
NC	output function
10-30VDC	voltage range
250 mA	max output current
100 Hz	max output ferequence
✓	indicator led
2 v	max drop voltage
15 mA	max noload or leakage current
yes	revers voltage protection
0	short circuit protection
CABLE2X0.5-1.5m	output
flush(shielded)	mounting
yes	pick voltage protection

Address: No.36 , Karimkhan Ave , Darvazeh Tehran ,Tabriz-Iran

Postal Code : 5157913399 | Post Inbox : 5341-51575 | Phone : 33330490-041 | Fax : 33318200-041

Website : www.tabrizpeguh.com | Email : info@tabrizpeguh.com