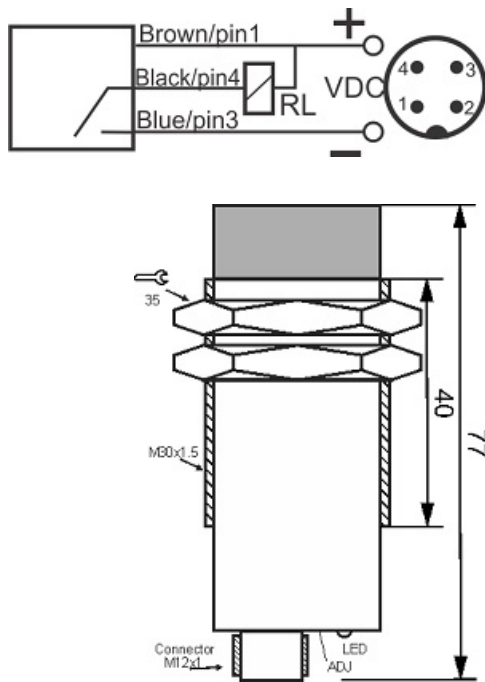




CPS-320-ON-30-S4

Category: 4Pin Connector three-wire DC Capacitive sensor



CPS-320-ON-30-S4	Product Code
M30X1.5Ni PLATED brass	housing
3	number of wires
20 mm	switching distance
-20~+60 °C	temperature range
IP 66	influence protection
NPN TRANSISTOR	output stage
NO	output function
10-30VDC	voltage range
250 mA	max output current
50 Hz	max output ferequency
✓	indicator led
2 v	max drop voltage
15 mA	max noload or leakage current
yes	revers voltage protection
0	short circuit protection
4Pin SOCKET	output
non flush (unshielded)	mounting
yes	pick voltage protection

Address: No.36 , Karimkhan Ave , Darvazeh Tehran ,Tabriz-Iran

Postal Code : 5157913399 | Post Inbox : 5341-51575 | Phone : 33330490-041 | Fax : 33318200-041

Website : www.tabrizpeguh.com | Email : info@tabrizpeguh.com