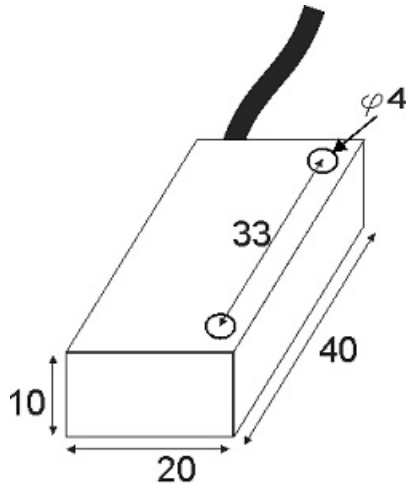
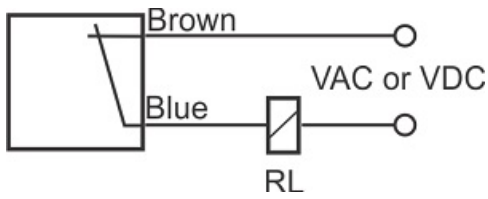




MPS-210-C-R10

Category: pre cabled 2 wire magnetic sensors



MPS-210-C-R10	Product Code
REC. 10X20X40 PA or PP	housing
2	number of wires
REED RELAY	output stage
NC	output function
10 mm	switching distance
10-250VACDC	voltage range
250 mA	max output current
-20~+60 °C	temperature range
50 Hz	max output ferequence
✓	indicator led
0	max drop voltage
0	max noload or leakage curtrent
IP67	influence protection
0	revers voltage protection
0	short circuit protection
CABLE2X0.25-1.5m	output

Address: No.36 , Karimkhan Ave , Darvazeh Tehran ,Tabriz-Iran

Postal Code : 5157913399 | Post Inbox : 5341-51575 | Phone : 33330490-041 | Fax : 33318200-041

Website : www.tabrizpeguh.com | Email : info@tabrizpeguh.com