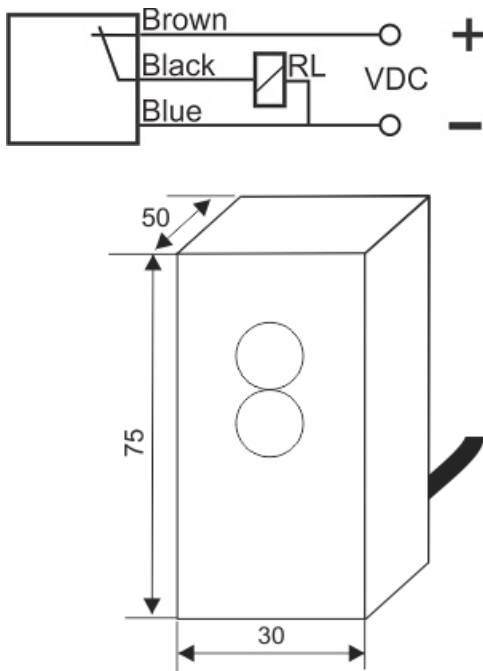




OPS-350-CP-R50-DF

Category: pre cabled diffuse optoelectronic sensors



| | |
|------------------------|---------------------------|
| OPS-350-CP-R50-DF | Product Code |
| REC. 50X75X30 PA or PP | housing |
| 3 | number of wires |
| PNP TRANSISTOR | output stage |
| NC | output function |
| 50 cm | switching distance |
| 10-30VDC | voltage range |
| 250 mA | max output current |
| -20~+60 °C | temperature range |
| 100 Hz | max output ferequence |
| ✓ | indicator led |
| 2 V | max drop voltage |
| IP66 | influence protection |
| ✓ | revers voltage protection |
| 0 | short circuit protection |
| CABLE3X0.25-1.5m | output |

Address: No.36 , Karimkhan Ave , Darvazeh Tehran ,Tabriz-Iran

Postal Code : 5157913399 | Post Inbox : 5341-51575 | Phone : 33330490-041 | Fax : 33318200-041

Website : www.tabrizpeguh.com | Email : info@tabrizpeguh.com