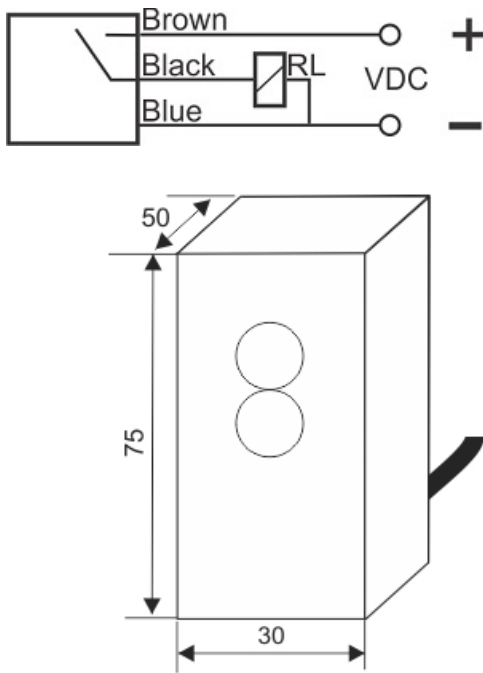




OPS-350-OP-R50-DF

Category: pre cabled diffuse optoelectronic sensors



OPS-350-OP-R50-DF	Product Code
REC. 50X75X30 PA or PP	housing
3	number of wires
PNP TRANSISTOR	output stage
NO	output function
50 cm	switching distance
10-30VDC	voltage range
250 mA	max output current
-20~+60 °C	temperature range
100 Hz	max output ferequence
✓	indicator led
2 V	max drop voltage
IP66	influence protection
✓	revers voltage protection
0	short circuit protection
CABLE3X0.25-1.5m	output

Address: No.36 , Karimkhan Ave , Darvazeh Tehran ,Tabriz-Iran

Postal Code : 5157913399 | Post Inbox : 5341-51575 | Phone : 33330490-041 | Fax : 33318200-041

Website : www.tabrizpeguh.com | Email : info@tabrizpeguh.com