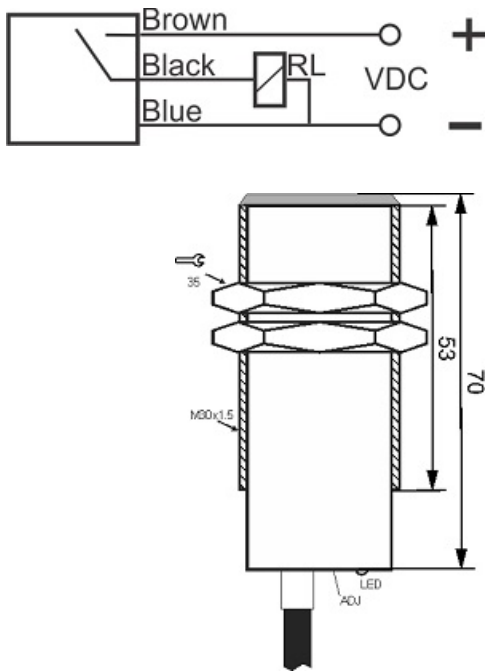




OPS-3150-OP-30-RR

Category: pre cabled retro-reflective optoelectronic sensors



OPS-3150-OP-30-RR	Product Code
M30X1.5 Ni PLATED Brass	housing
3	number of wires
PNP TRANSISTOR	output stage
NO	output function
150 cm	switching distance
10-30VDC	voltage range
250 mA	max output current
-20~+60 °C	temperature range
500 Hz	max output ferequence
✓	indicator led
2 V	max drop voltage
IP66	influence protection
✓	revers voltage protection
0	short circuit protection
CABLE3X0.35-1.5m	output

Address: No.36 , Karimkhan Ave , Darvazeh Tehran ,Tabriz-Iran

Postal Code : 5157913399 | Post Inbox : 5341-51575 | Phone : 33330490-041 | Fax : 33318200-041

Website : www.tabrizpeguh.com | Email : info@tabrizpeguh.com