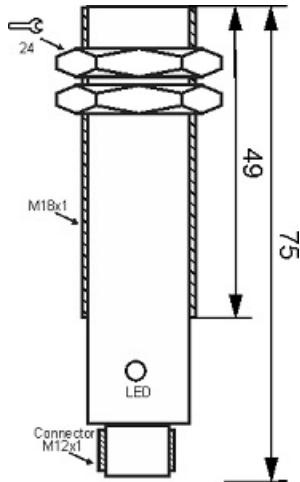




IPS-301-SA-18-N-S4

Category: 4pin connector speed pickup sensor



IPS-301-SA-18-N-S4	Product Code
M18STAINLESS STEEL 304	housing
3	number of wires
SQUARE PULSE	output type
1mm	switching distance
-20~+60 °C	temperature range
IP67	influence protection
4Pin SOCKET	output
NPN TRANSISTOR	output stage
NC	output function
10-30VDC	voltage range
50 mA	max output current
20KHz	max output ferequence
✓	indicator led
10 mA	max noload or leakage curtrent

Address: No.36 , Karimkhan Ave , Darvazeh Tehran ,Tabriz-Iran

Postal Code : 5157913399 | Post Inbox : 5341-51575 | Phone : 33330490-041 | Fax : 33318200-041

Website : www.tabrizpeguh.com | Email : info@tabrizpeguh.com