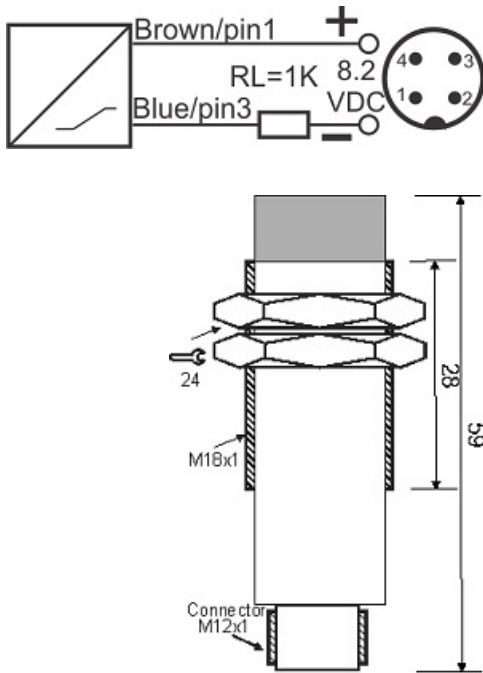




# IPS-208-NM-18-S4

Category: 4pin connector namur sensors



IPS-208-NM-18-S4	Product Code
M18X1Ni PLATED Brass	housing
2	number of wires
8 mm	switching distance
-20~+60 °C	temperature range
IP67	influence protection
4Pin SOCKET	output
NAMUR	output function
8.2VDC	voltage range
1000 Hz	max output ferequence
0	indicator led
non flush (unshielded)	mounting

Address: No.36 , Karimkhan Ave , Darvazeh Tehran ,Tabriz-Iran

Postal Code : 5157913399 | Post Inbox : 5341-51575 | Phone : 33330490-041 | Fax : 33318200-041

Website : [www.tabrizpeguh.com](http://www.tabrizpeguh.com) | Email : [info@tabrizpeguh.com](mailto:info@tabrizpeguh.com)