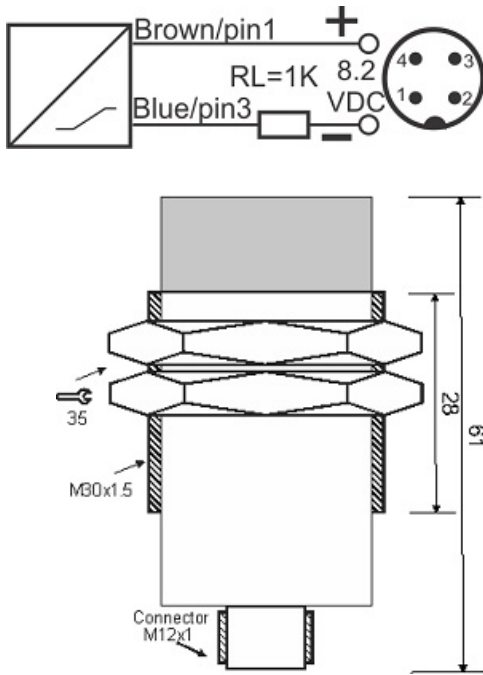




IPS-215-NM-30-S4

Category: 4pin connector namur sensors



| | |
|------------------------|-----------------------|
| IPS-215-NM-30-S4 | Product Code |
| M30X1.5Ni PLATED Brass | housing |
| 2 | number of wires |
| 15 mm | switching distance |
| -20~+60 °C | temperature range |
| IP67 | influence protection |
| 4Pin SOCKET | output |
| NAMUR | output function |
| 8.2VDC | voltage range |
| 500 Hz | max output ferequence |
| 0 | indicator led |
| non flush (unshielded) | mounting |

Address: No.36 , Karimkhan Ave , Darvazeh Tehran ,Tabriz-Iran

Postal Code : 5157913399 | Post Inbox : 5341-51575 | Phone : 33330490-041 | Fax : 33318200-041

Website : www.tabrizpeguh.com | Email : info@tabrizpeguh.com