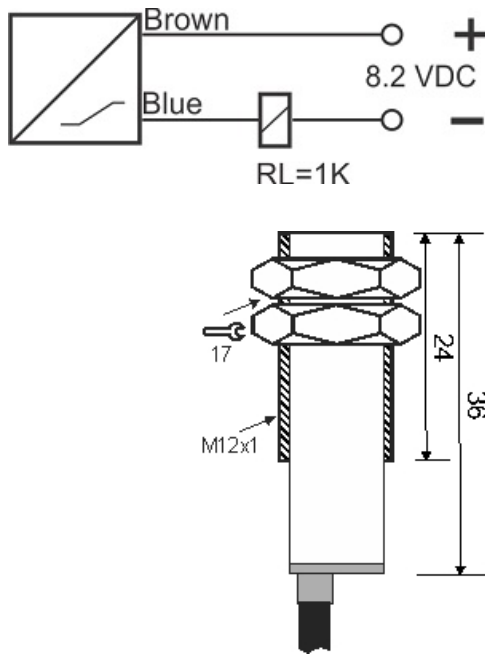




# IPS-202-Nm-12-HT

Category: high temperature pre cabled inductive sensor



|                          |                         |
|--------------------------|-------------------------|
| IPS-202-Nm-12-HT         | Product Code            |
| M12X1Ni PLATED Brass     | housing                 |
| 2                        | number of wires         |
| 2 mm                     | switching distance      |
| -20~+120 °C              | temperature range       |
| 1500 Hz                  | max operating frequency |
| IP67                     | influence protection    |
| SILICON CABLE2X0.25-1.5m | output                  |
| NAMUR                    | output function         |
| 8.2VDC                   | voltage range           |
| 0                        | indicator led           |
| flush(shielded)          | mounting                |

Address: No.36 , Karimkhan Ave , Darvazeh Tehran ,Tabriz-Iran

Postal Code : 5157913399 | Post Inbox : 5341-51575 | Phone : 33330490-041 | Fax : 33318200-041

Website : [www.tabrizpeguh.com](http://www.tabrizpeguh.com) | Email : [info@tabrizpeguh.com](mailto:info@tabrizpeguh.com)