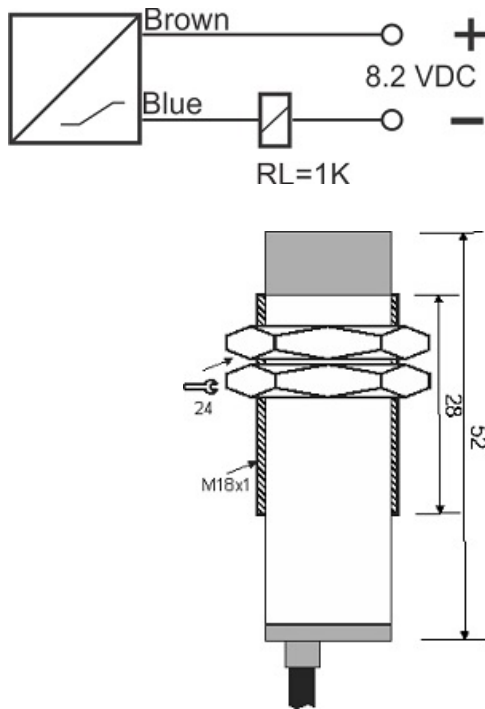




IPS-208-Nm-18-HT

Category: high temperature pre cabled inductive sensor



| | |
|--------------------------|-------------------------|
| IPS-208-Nm-18-HT | Product Code |
| M18X1Ni PLATED Brass | housing |
| 2 | number of wires |
| 8 mm | switching distance |
| -20~+120 °C | temperature range |
| 700 Hz | max operating frequency |
| IP67 | influence protection |
| SILICON CABLE2X0.25-1.5m | output |
| NAMUR | output function |
| 8.2VDC | voltage range |
| 0 | indicator led |
| non flush (unshielded) | mounting |

Address: No.36 , Karimkhan Ave , Darvazeh Tehran ,Tabriz-Iran

Postal Code : 5157913399 | Post Inbox : 5341-51575 | Phone : 33330490-041 | Fax : 33318200-041

Website : www.tabrizpeguh.com | Email : info@tabrizpeguh.com