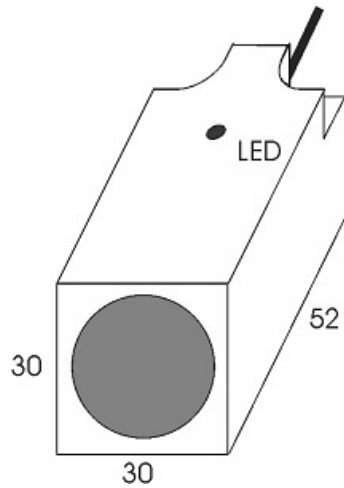
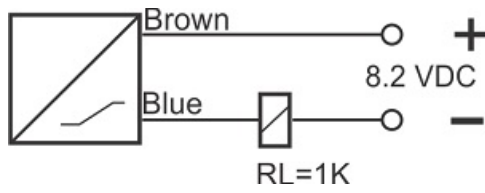




# IPS-210-Nm-R30-HT

Category: high temperature pre cabled inductive sensor



IPS-210-Nm-R30-HT	Product Code
REC. 30X30X52 PA or PP	housing
2	number of wires
10 mm	switching distance
-20~+120 °C	temperature range
IP67	influence protection
SILICON CABLE2X0.25-1.5m	output
NAMUR	output function
8.2VDC	voltage range
0	indicator led
non flush (unshielded)	mounting

Address: No.36 , Karimkhan Ave , Darvazeh Tehran ,Tabriz-Iran

Postal Code : 5157913399 | Post Inbox : 5341-51575 | Phone : 33330490-041 | Fax : 33318200-041

Website : [www.tabrizpeguh.com](http://www.tabrizpeguh.com) | Email : [info@tabrizpeguh.com](mailto:info@tabrizpeguh.com)