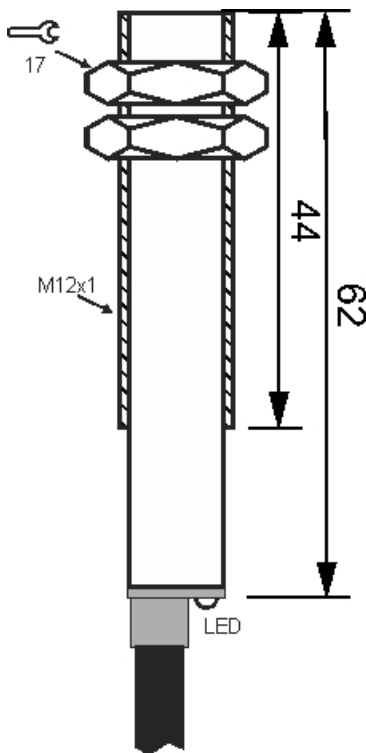
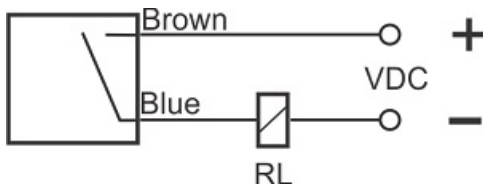
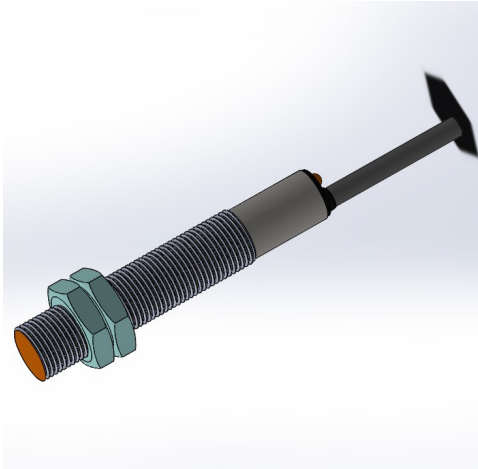




IPS-202-OD-12-V

Category: 2wire DC pre cabled inductive sensor



IPS-202-OD-12-V	Product Code
M12X1Ni PLATED Brass	housing
2	number of wires
2 mm	switching distance
-20~+60 °C	temperature range
IP67	influence protection
CABLE2X0.25-1.5m	output
TRANSISTOR	output stage
NO	output function
10-60VDC	voltage range
120 mA	max output current
1500 Hz	max output frequency
✓	indicator led
5 V	max drop voltage
2 mA	max noload or leakage current
3 bar	pressure rate
flush(shielded)	mounting
yes	revers voltage protection
0	short circuit protection
yes	pick voltage protection

Address: No.36 , Karimkhan Ave , Darvazeh Tehran ,Tabriz-Iran

Postal Code : 5157913399 | Post Inbox : 5341-51575 | Phone : 33330490-041 | Fax : 33318200-041

Website : www.tabrizpeguh.com | Email : info@tabrizpeguh.com